

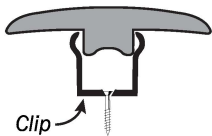
CREATIVE[®] SURFACES

Important points to note:

- Leave a 1/4" expansion gap between the molding and the laminate plank
- If desired, moldings can be glued to sub-floors or concrete, but should not be glued directly to the laminate planks

T-Molding

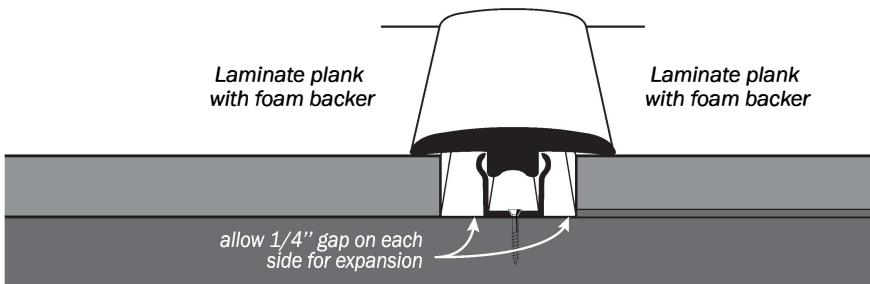
- T-molding joints ensure a smooth transition between two areas of flooring of the same level (ex: ceramic and laminate). It can also be used as expansion joints (every 40 feet in length and width). It is recommended to use t-moldings in every doorway, as it makes installation easier.



*Laminate plank
with foam backer*

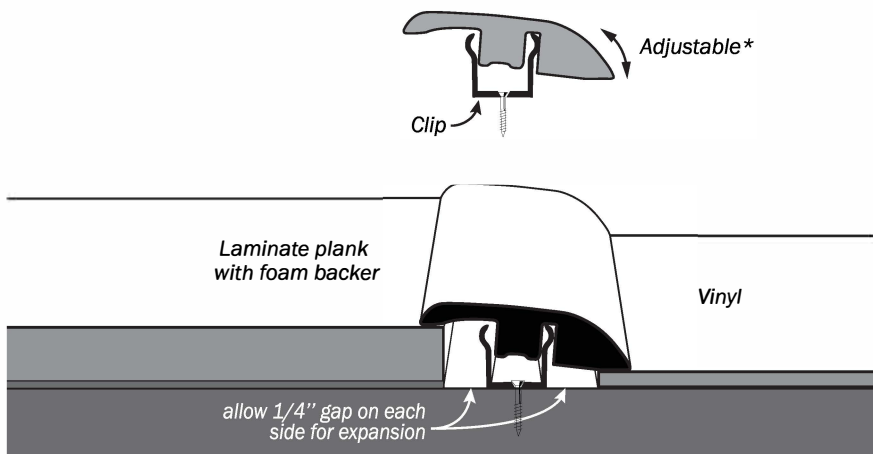
*Laminate plank
with foam backer*

*allow 1/4" gap on each
side for expansion*



Reducer

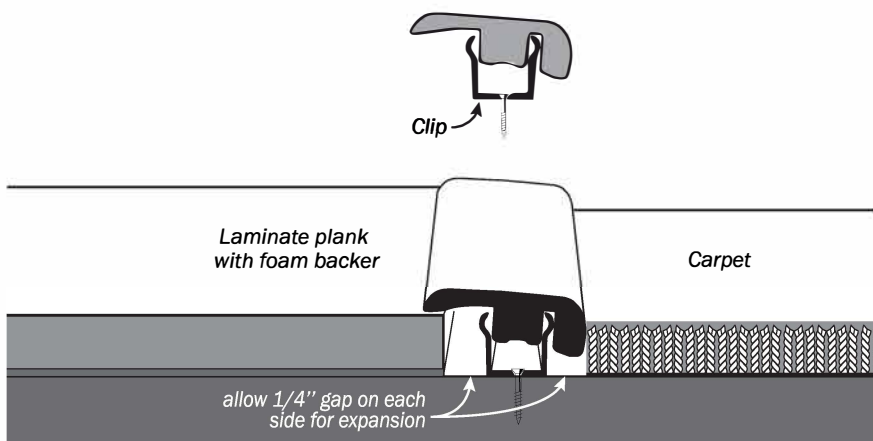
Reducer joints are designed to ensure a natural transition from laminate flooring to a lower surface such as vinyl tiles or thin carpet.



* Adjust the position of the molding in the clip based on the height of the lower surface flooring

End-cap

End-cap joints ensure a perfect transition from laminate flooring to a higher surface such as ceramic tile or carpet.



To contact our customer service department
email: info@creativesurfaces.ca